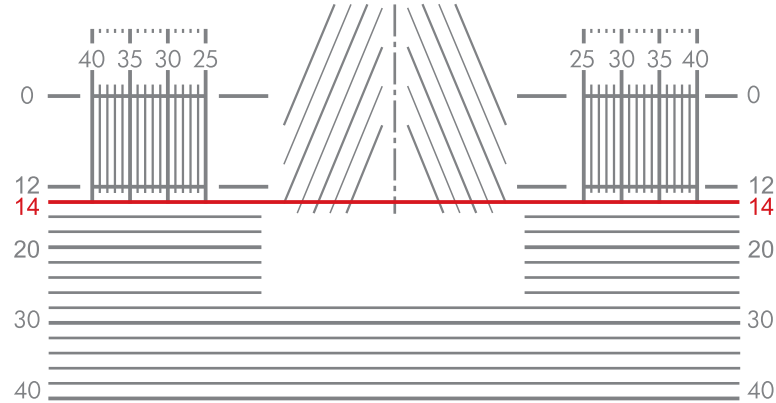
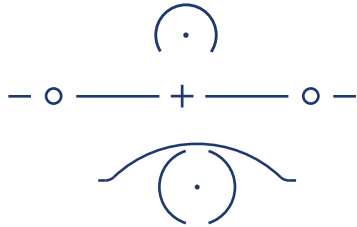
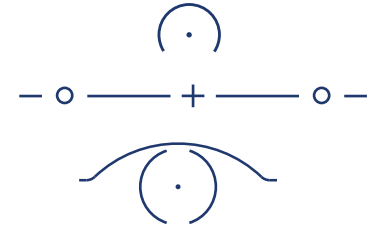




## Shamir Computer™ & Shamir WorkSpace™

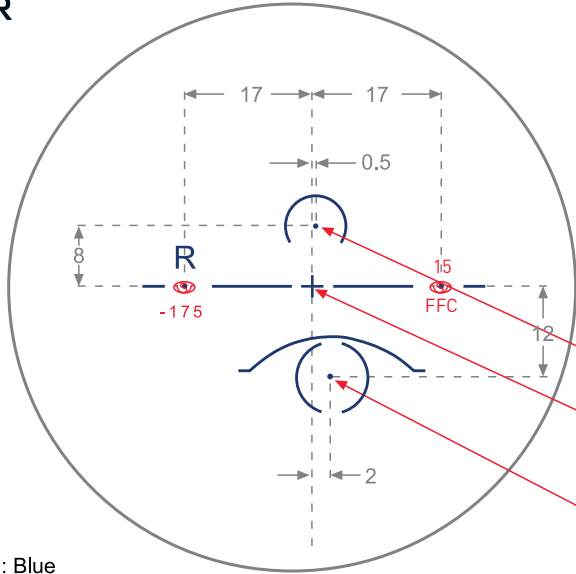


Minimum Fitting Height 14mm





# Shamir Computer™ & Shamir WorkSpace™



Room Distance Reference Point

Fitting Point  
Prism Reference Point

Near Reference Point

Minimum Fitting Height 14 mm

Ink Marking: Blue  
Invisible Marking: Red

Material	Invisible Markings	
	Computer	WorkSpace
Hard Resin 1.5	15 S -175 FFC	15 S -175 FFW
Transitions® 1.5	TR S -175 FFC	TR S -175 FFW
Polycarbonate 1.59	PC S -175 FFC	PC S -175 FFW
Polycarbonate 1.59 Transitions®	PT S -175 FFC	PT S -175 FFW
SuperLite™ 1.6	16 S -175 FFC	16 S -175 FFW
SuperLite 1.6 Transitions®	T6 S -175 FFC	T6 S -175 FFW